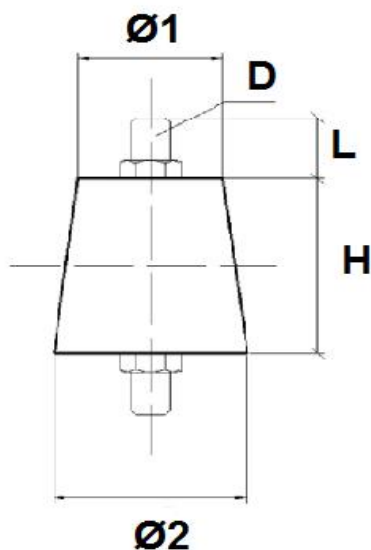


TECHNICAL SPECIFICATIONS FOR INSULATORS 603

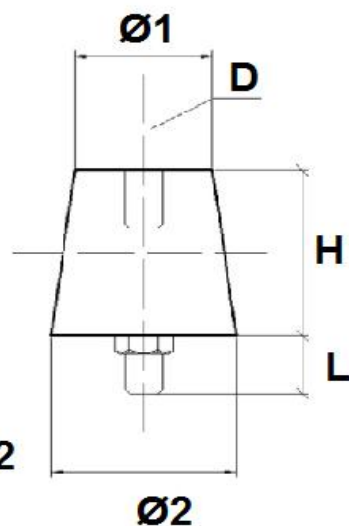
CODE	DESCRIPTION	COLOUR	DIMENSIONS(mm.)					OPERATING VOLTAGE (kV)	TEST VOLTAGE (kV)	TENSILE FORCE (kN)	PRESS FORCE (kN)	FLEXURAL FORCE (Nm)	OPERATING TEMPERATURE
			H	L	D	Ø1	Ø2						
603-25-V1-M6	Insulator, male/male threaded M6	RED	25	10	M6	21	32	0,6	3	2	6	0,6	-40C° + 130C°
603-25-V2-M6	Insulator, male/female threaded M6	RED	25	10	M6	21	32	0,6	3	2	6	0,6	-40C° + 130C°
603-25-V3-M3	Insulator, female/female threaded M6	RED	25	10	M6	21	32	0,6	3	2	6	0,6	-40C° + 130C°
603-40-V1-M8	Insulator, male/male threaded M8	RED	40	15	M8	32	40	1	6	6	10	1	-40C° + 130C°
603-40-V2-M8	Insulator, male/female threaded M8	RED	40	15	M8	32	40	1	6	6	10	1	-40C° + 130C°
603-40-V3-M8	Insulator, female/female threaded M8	RED	40	15	M8	32	40	1	6	6	10	1	-40C° + 130C°
603-40-V1-M10	Insulator, male/male threaded M10	RED	40	15	M10	32	40	1	6	10	14	2	-40C° + 130C°
603-40-V2-M10	Insulator, male/female threaded M10	RED	40	15	M10	32	40	1	6	10	14	2	-40C° + 130C°
603-40-V3-M10	Insulator, female/female threaded M10	RED	40	15	M10	32	40	1	6	10	14	2	-40C° + 130C°



VERSION 1



VERSION 2



VERSION 3

