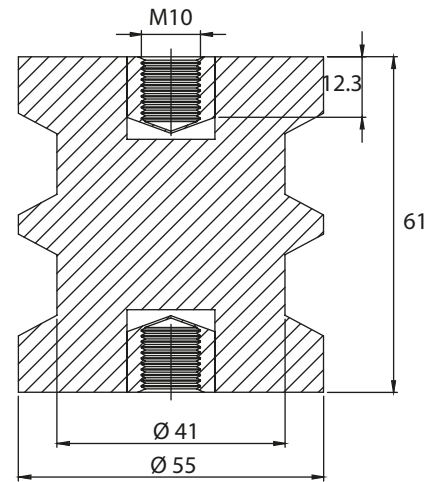
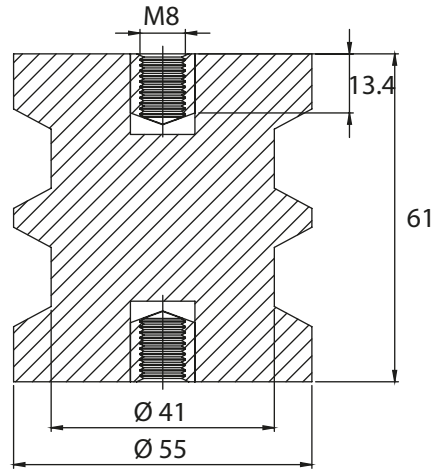
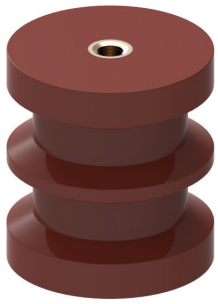


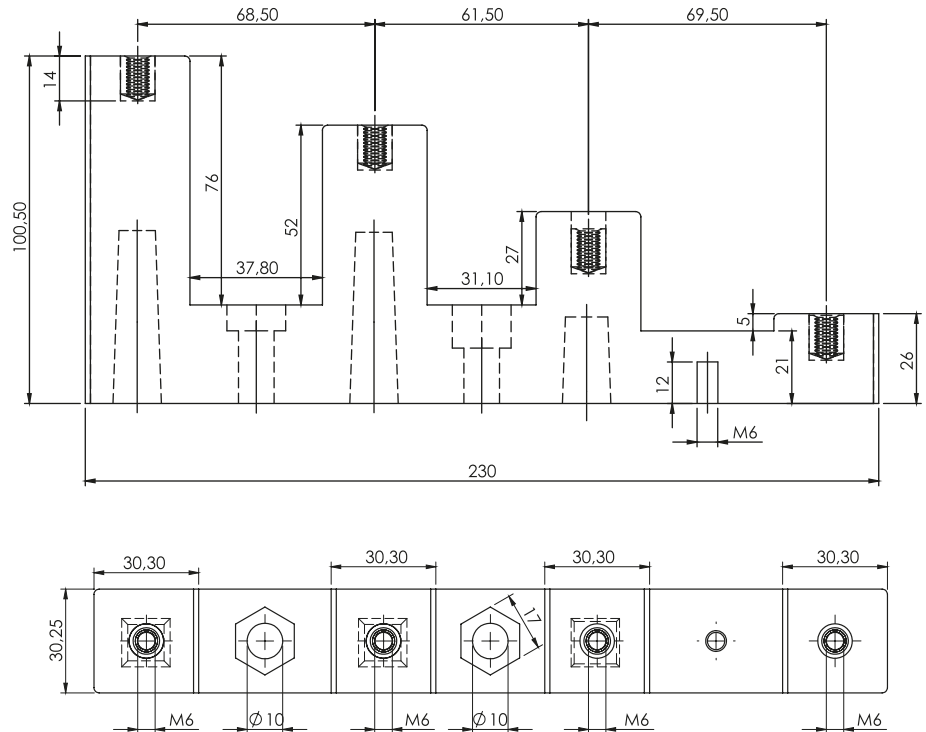
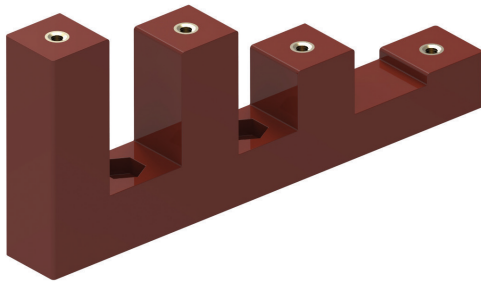
604 | STANDOFF INSULATOR



Material	D	Code
Fiberglass Reinforced Polyester (FRP)	M8	604-M8
	M10	604-M10

D: Metric bolt diameter * All dimensions are in mm

605 | STEP INSULATOR



Material	D	Code
Fiberglass Reinforced Polyester (FRP)	M6	605-M6

D: Metric bolt diameter * All dimensions are in mm