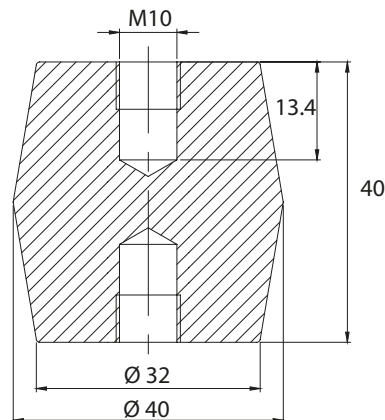
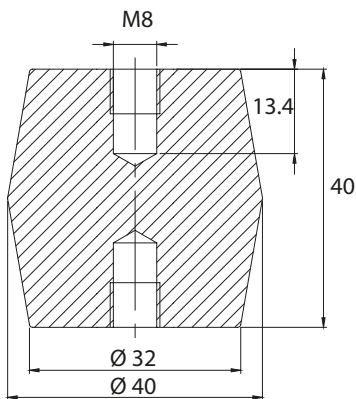
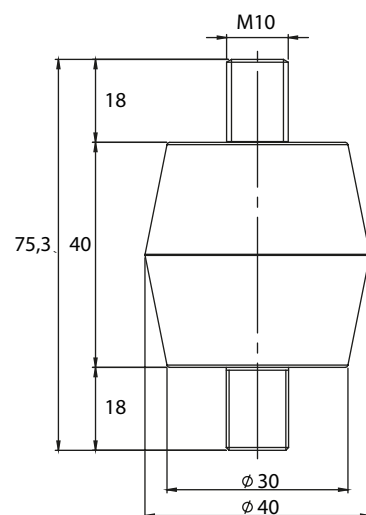
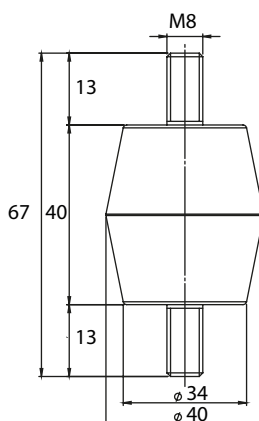
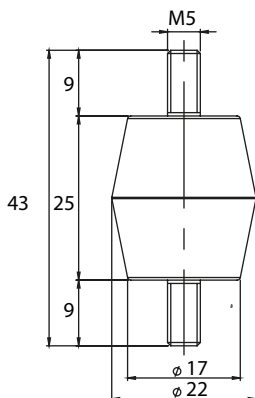




Version 1
Female/Female



Version 2
Male/Male



Version 3
Male/Female

Material	H	Version	D	L	Code	
Fiberglass Reinforced Polyester (FRP)	25	1	M5	9	-	
		2			602-25-V2-M5	
		3			-	
	40	13,4	1	M8	13,4	602-40-V1-M8
			2			602-40-V2-M8
			3			602-40-V3-M8
		18	M10	13,4	1	602-40-V1-M10
					2	602-40-V2-M10
					3	602-40-V3-M10

H: Height, L: Thread length, D: Metric bolt diameter * All dimensions are in mm