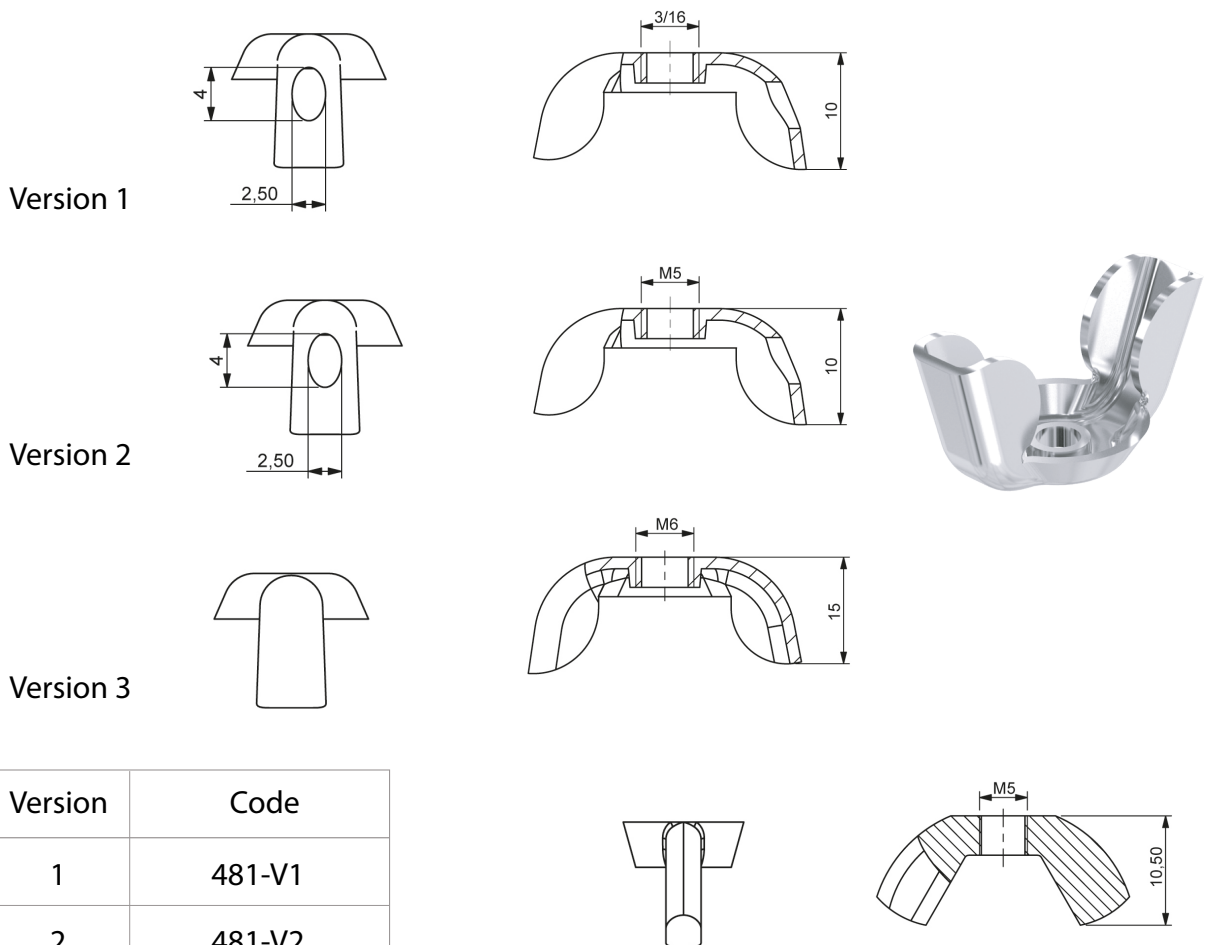


Material	Metric	A	B	C	D	Code
Sheet steel	M5	12.6	6	1.7~ 2.5	9	480-M5
	M6	12.6	6	1.7~ 2.5	9	480-M6
	M8	16	7.8	3.3~ 4.1	12	480-M8

*All dimensions are in mm.

WING NUT | 481



Material	Version	Code
Sheet steel	1	481-V1
	2	481-V2
	3	481-V3
Steel	4	481-V4

*All dimensions are in mm.