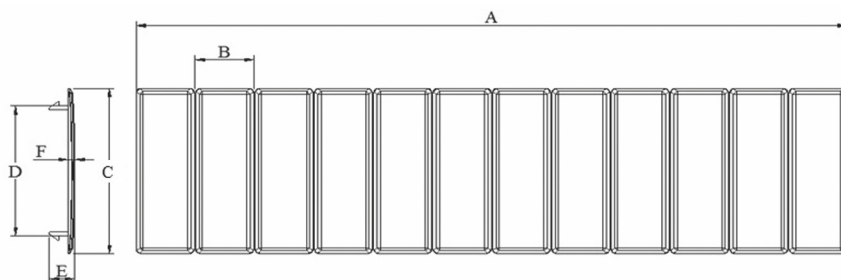
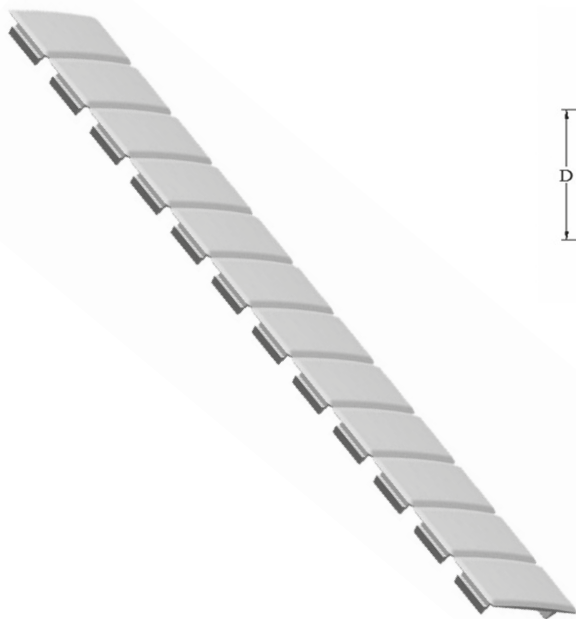


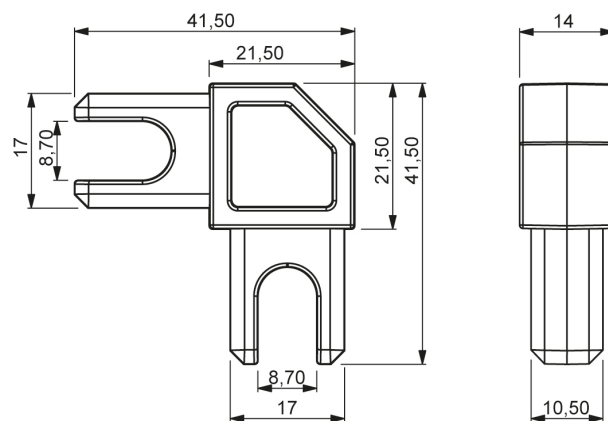
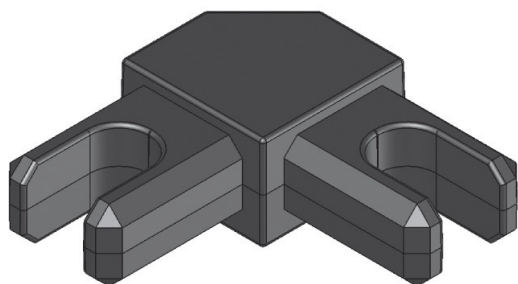
## 472 | POLE FILLER



Material	A	B	C	D	E	F
High impact polystyrene (HIPS) White filler plate, 12 pole fillers	224	18.7	58.7	46.3	8.1	2

\* All dimensions are in mm

## 473 | CORNER WEDGE



Material
Polyamide, black

\* All dimensions are in mm