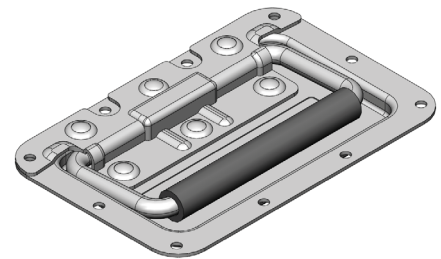
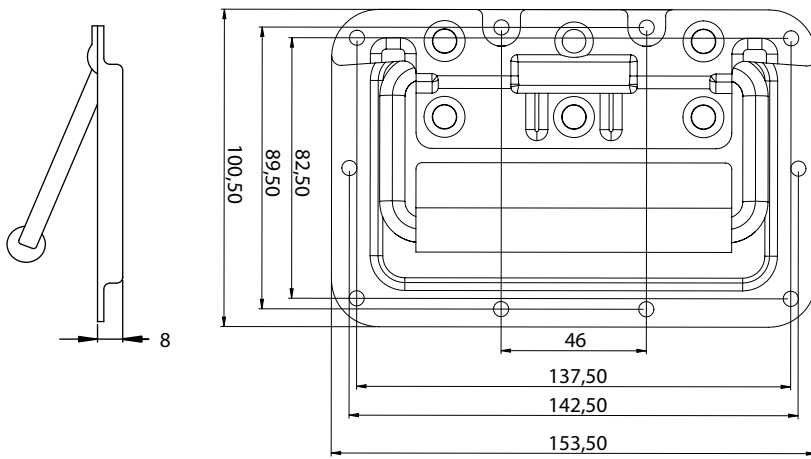


Material
Zinc plated steel, PVC coated handle, M5
Maximum load: 600N, 85 degree handle

* All dimensions are in mm

RECESSED CHEST HANDLE | 436



Material
Zinc plated steel, PVC coated handle, M5
Maximum load: 600N, 85 degree handle

* All dimensions are in mm

