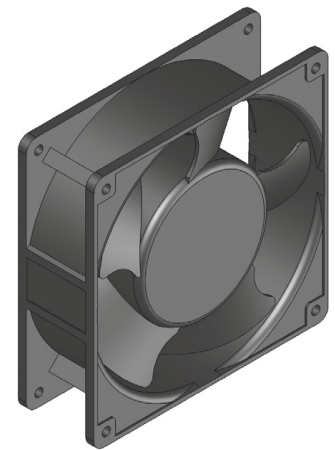
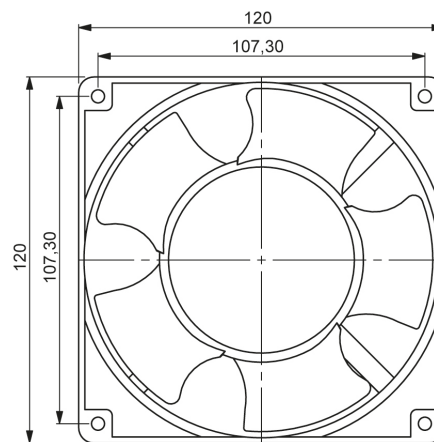
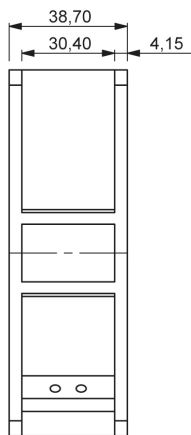


Material	Specifications	
AC axial fan Aluminium alloy frame and impeller Ball bearing	Dimension	80x80x25
	Volt	220/240
	Power	21/22w/sec.
	Frequency	50/60hz
	Air flow	60m ³

* All dimensions are in mm

COOLING FAN | 406



Material	Specifications	
AC axial fan Aluminium alloy frame and impeller Ball bearing	Dimension	120x120x38
	Volt	220/240
	Power	21/22w/sec.
	Frequency	50/60hz
	Air flow	82/96m ³

* All dimensions are in mm