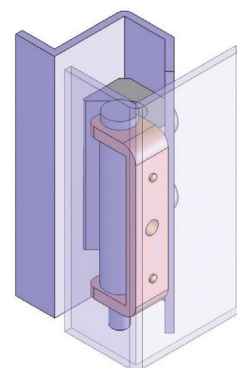
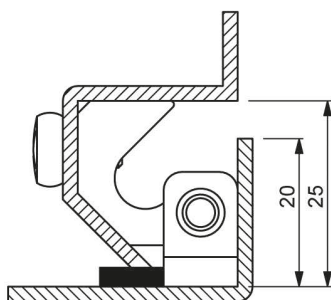
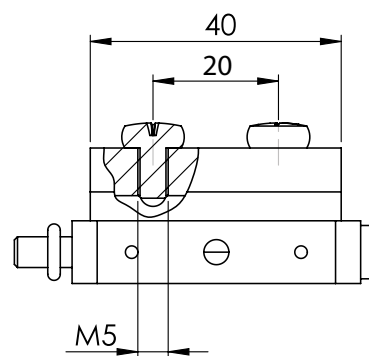
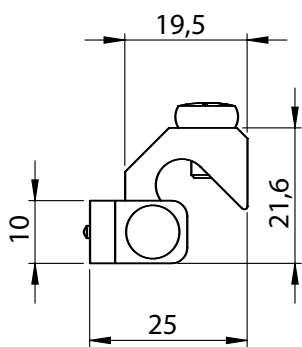
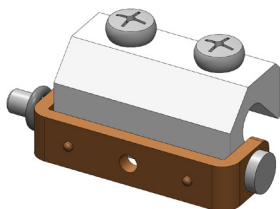


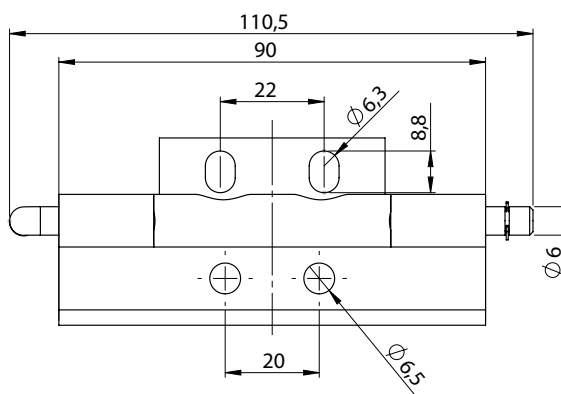
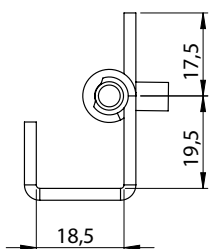
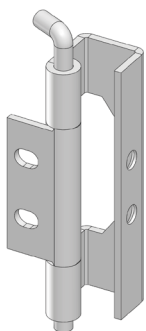
360 | CONCEALED HINGE



Material	Code
Zamak, zinc plated Welding part: Steel sheet, copper plated Steel pin	360

* All dimensions are in mm

361 | CONCEALED HINGE



Material	Code
Sheet steel, zinc plated Welding part: Sheet steel, copper plated Steel pin	361

* All dimensions are in mm