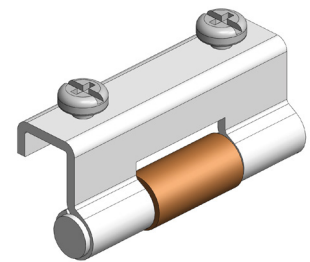
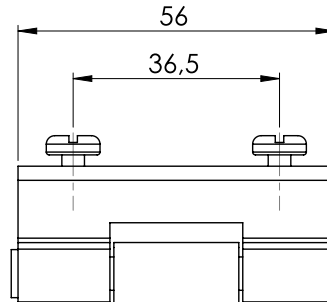
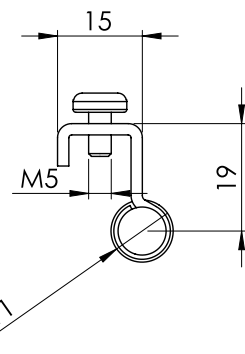
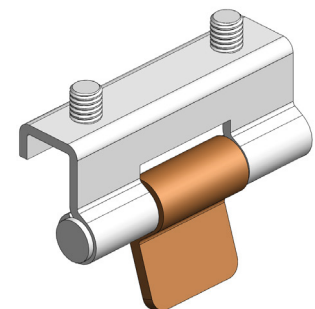
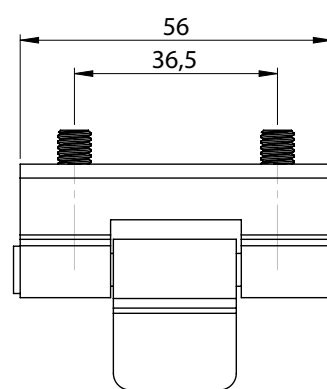
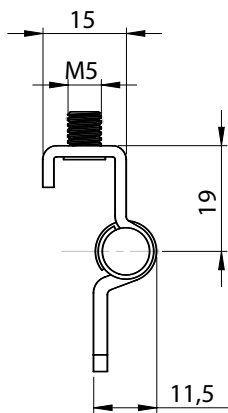
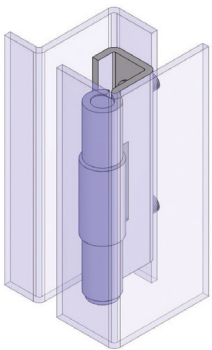


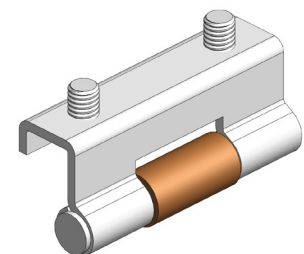
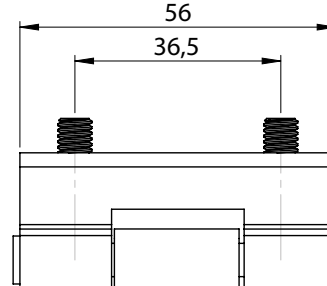
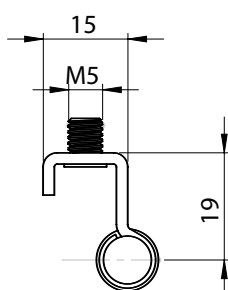
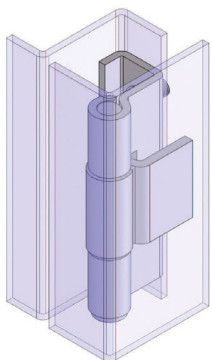
Version 1



Version 2



Version 3



Version 4

Material	Version	Code
Sheet metal, zinc plated Welding part: Copper plated	1	359-V1
	2	359-V2
Steel pin	3	359-V3
	4	359-V4

* All dimensions are in mm