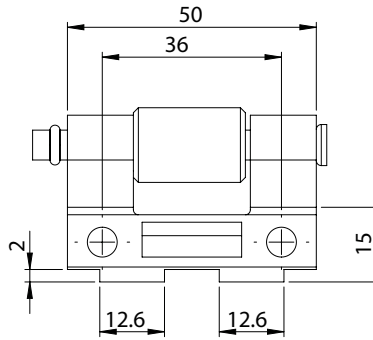
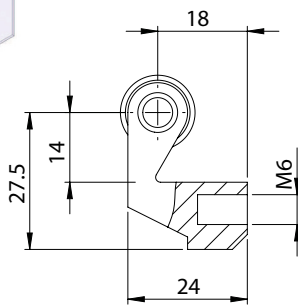
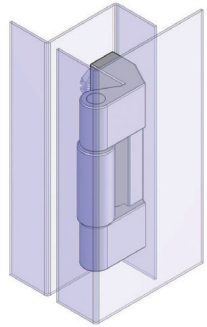
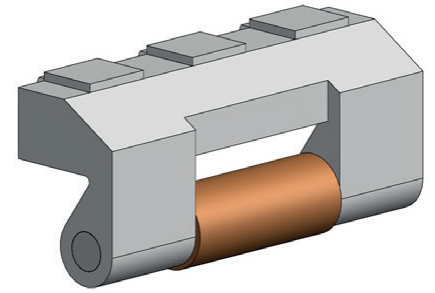
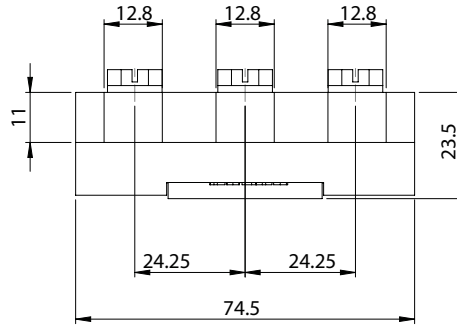
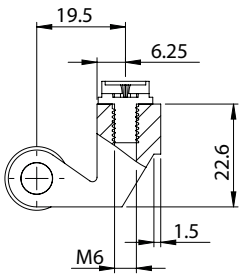
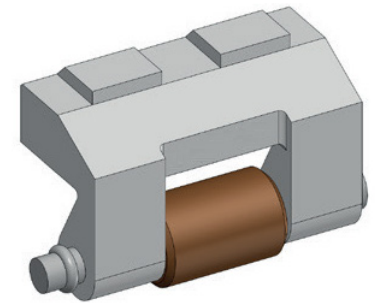


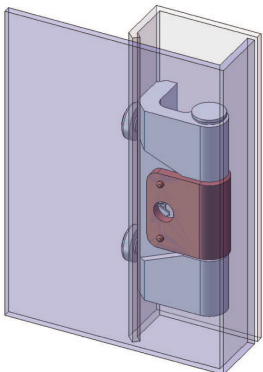
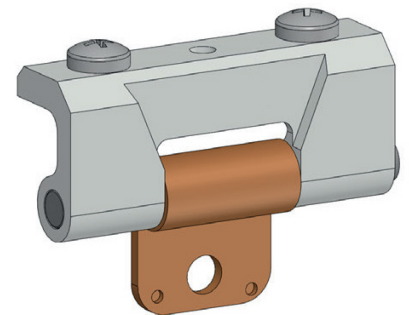
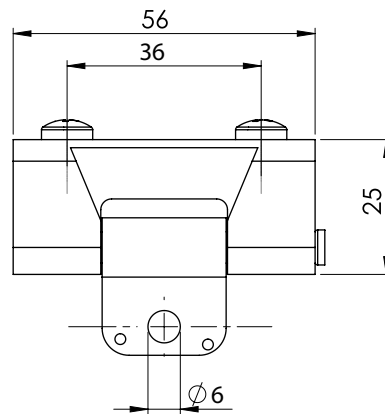
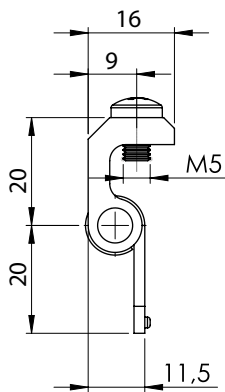
CONCEALED HINGE | 355



CONCEALED HINGE | 356



CONCEALED HINGE | 357



Material	Code
Zamak, zinc plated	355
Welding part: Steel sheet, copper plated	356
Pin: Steel	357

* All dimensions are in mm