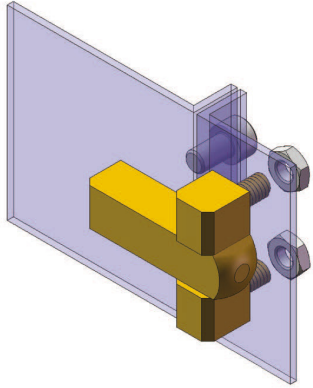
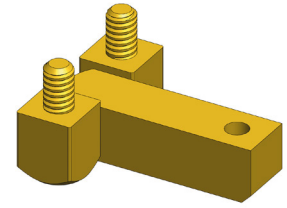
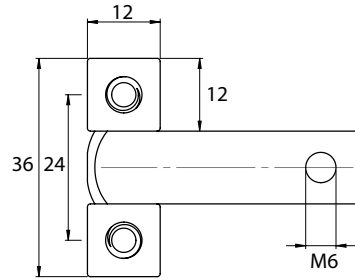
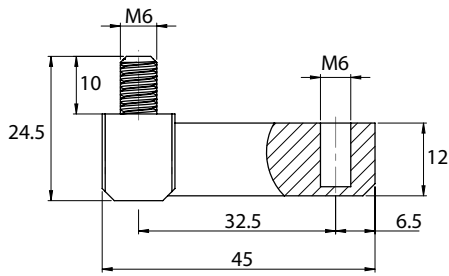


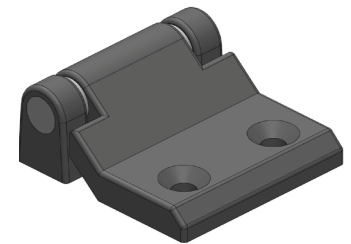
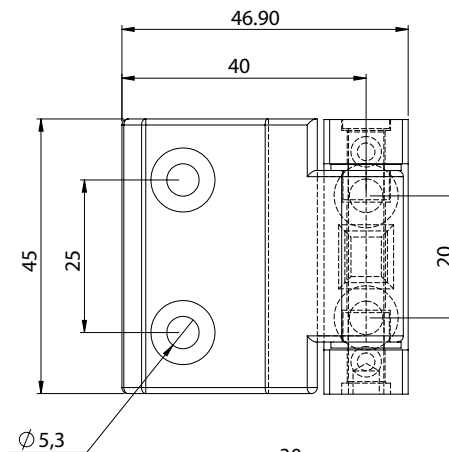
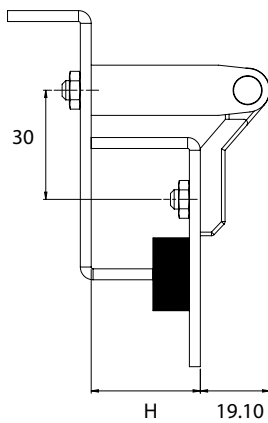
## SURFACE MOUNT HINGE | 325



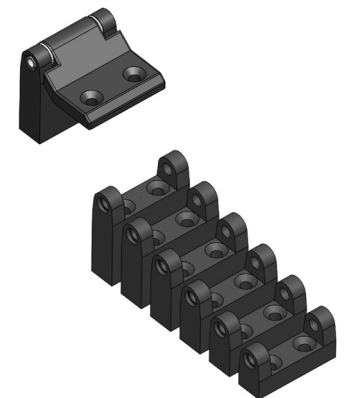
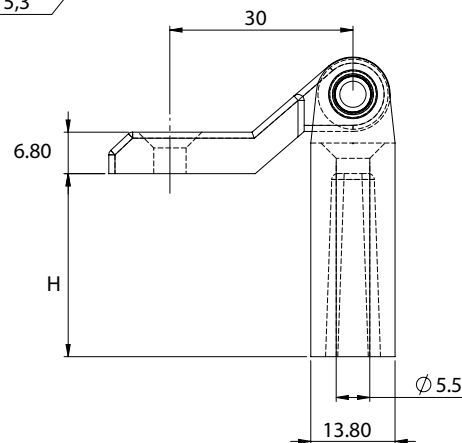
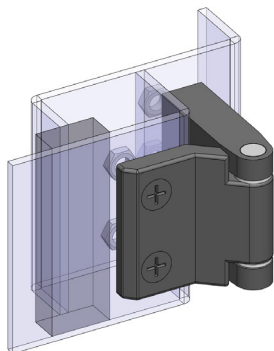
Material	Code	Code
	Uncoated	Nickel plated
Brass	325-3-0	325-3-3
Carbon steel	Uncoated	Zinc plated
	325-4-0	325-4-4

\* All dimensions are in mm

## SURFACE MOUNT HINGE | 327



H: 0



Material	Height	Code	Code
		Chrome	Black painted
Zamak	0	327-0-1	327-0-5
	5	327-5-1	327-5-5
	10	327-10-1	327-10-5
	15	327-15-1	327-15-5
	20	327-20-1	327-20-5
	25	327-25-1	327-25-5
Pin: Steel	30	327-30-1	327-30-5
	Countersunk hole		

\* All dimensions are in mm