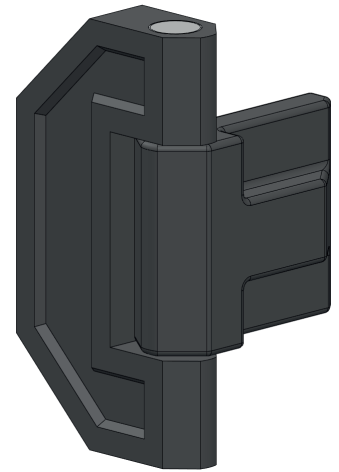
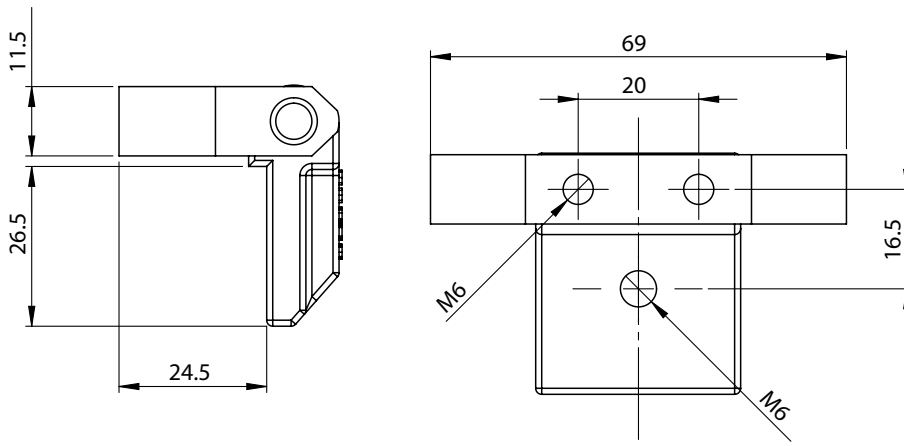
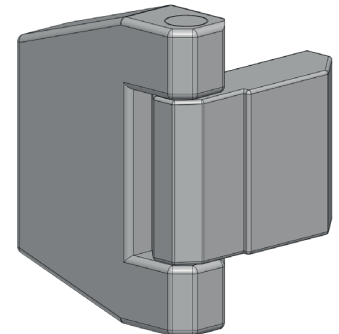
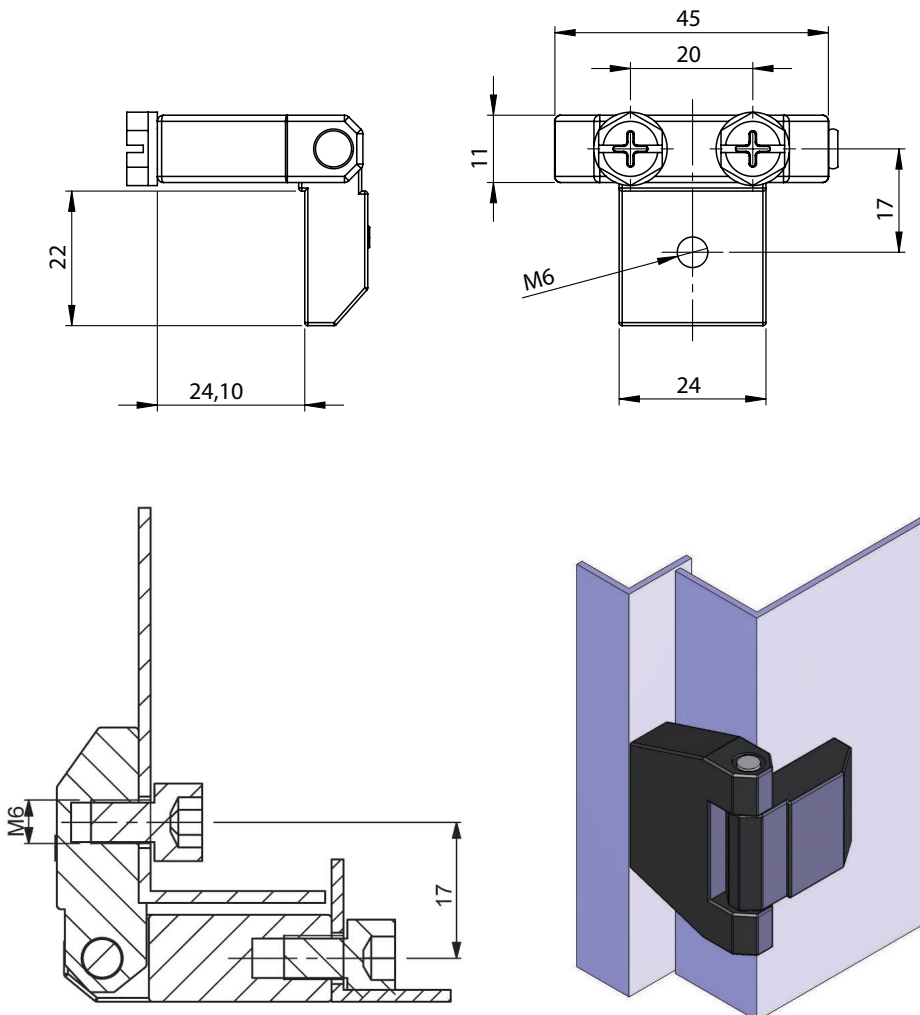


CORNER HINGE | 311



CORNER HINGE | 312



Material	Thread diameter	Code	Code
		Chrome	Black painted
Zamak	M6	311-1	311-5
	M6	312-1	312-5

* All dimensions are in mm