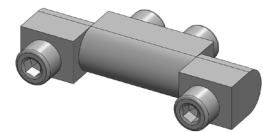
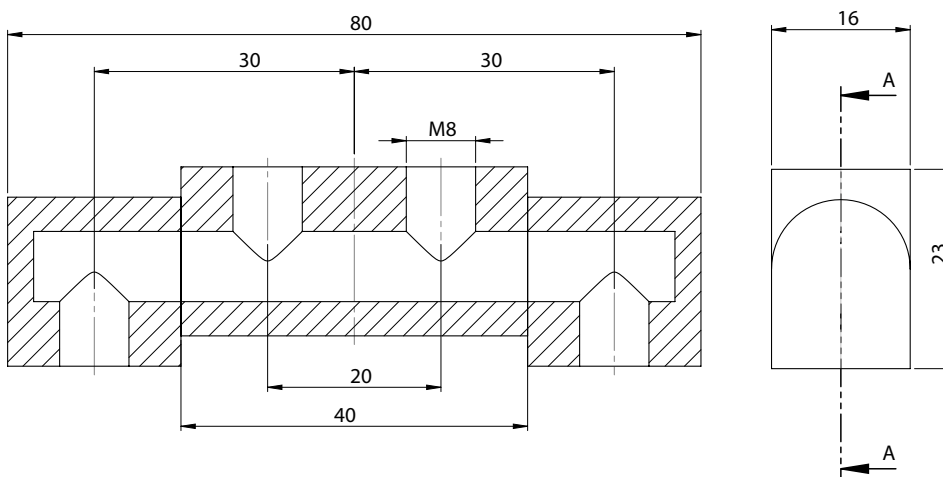


## CORNER HINGE | 307



Material	Code
Brass, chrome plated	306-3-1
Hexagonal (Allen) screw M8	307-3-1

\* All dimensions are in mm