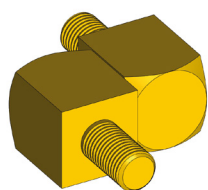
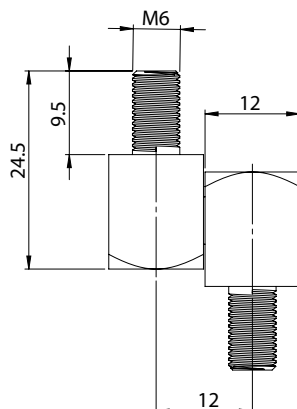


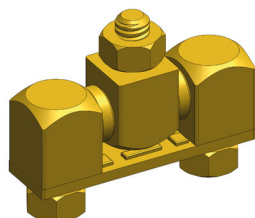
302 | CORNER HINGE



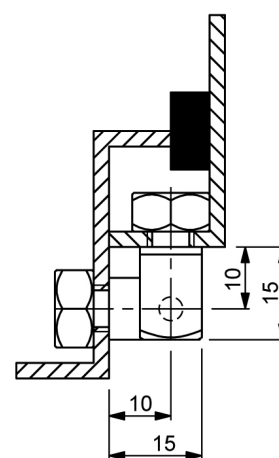
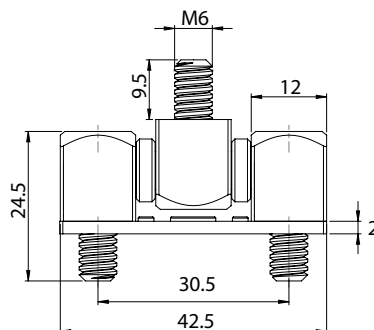
12mm



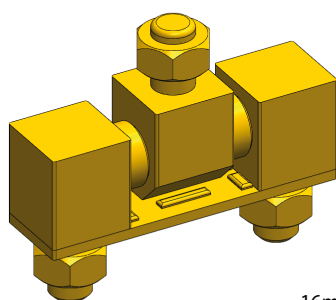
303 | CORNER HINGE - CONNECTED



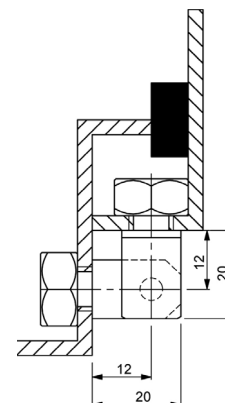
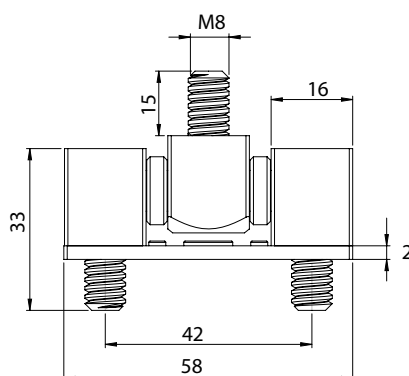
12mm



304 | CORNER HINGE - CONNECTED



16mm



Material	Thread diameter	Edge length	Code	
			Uncoated	Nickel plated
Brass	M6	12	302-3-12-0	302-3-12-3
Brass connected	M6	12	303-3-12-0	303-3-12-3
	M8	16	304-3-16-0	303-3-16-3
Carbon steel	Thread	Edge	Uncoated	Zinc plated
	M6	12	302-4-12-0	302-4-12-4
Carbon steel connected	M6	12	303-4-12-0	303-4-12-4
	M8	16	304-4-16-0	304-4-16-4

* All dimensions are in mm