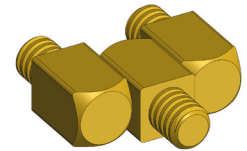
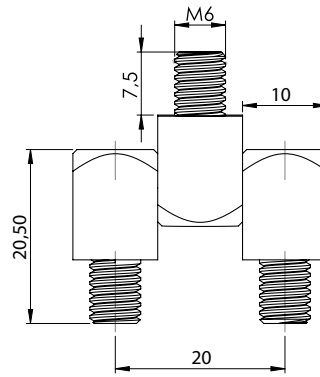
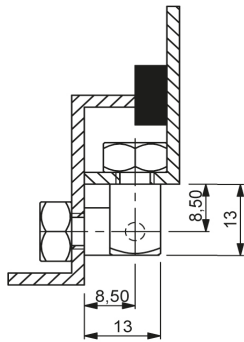
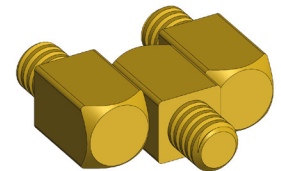
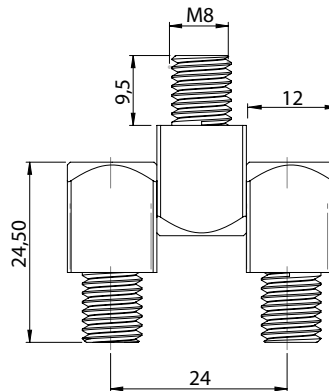
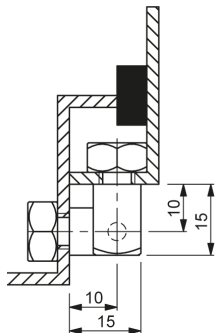


8mm



10mm



12mm

Material	Thread diameter	Edge length	Code	
			Uncoated	Nickel plated
Brass	M6	8	301-3-8-0	301-3-8-3
		10	301-3-10-0	301-3-10-3
	M8	12	301-3-12-0	301-3-12-3
Carbon steel	Thread	Edge	Uncoated	Zinc plated
	M6	8	301-4-8-0	301-4-8-4
		10	301-4-10-0	301-4-10-4
	M8	12	301-4-12-0	301-4-10-4

* All dimensions are in mm