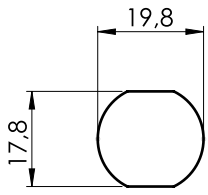
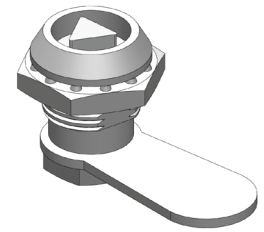
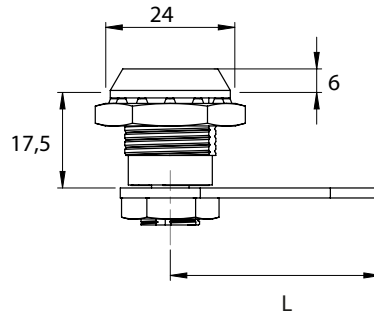
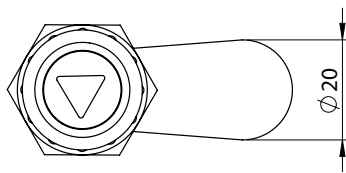


## QUARTER-TURN LOCK | 221



Cutout



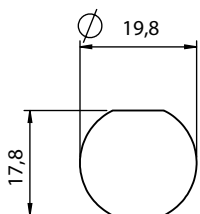
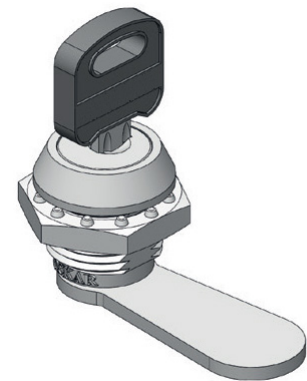
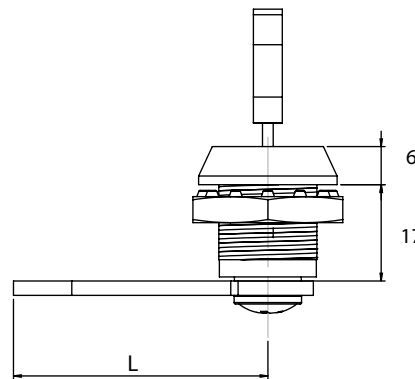
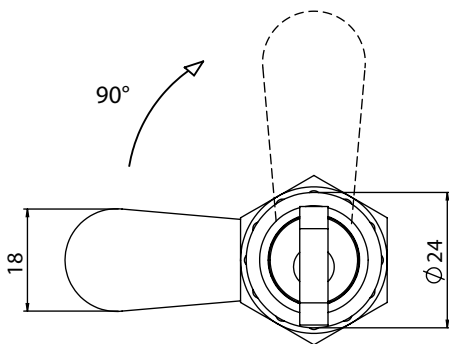
Internal stopper for 90 degree turn

Material	Insert type	Code
		Chrome
Housing: Zamak 5 Insert: Zamak 5 Nut: Zamak 5	8mm Triangle	221-11-11T8

\* All dimensions are in mm

\* The cams to be ordered separately

## QUARTER-TURN CAM LOCK | 223



Cutout

Material	Cylinder type	Code
		Chrome
Housing: Zamak 5 Insert: Zamak 5 Nut: Zamak 5	Keyed alike 1333	223-11-01
	Keyed different	223-11-02
	-	-

\* All dimensions are in mm

\* The cams to be ordered separately