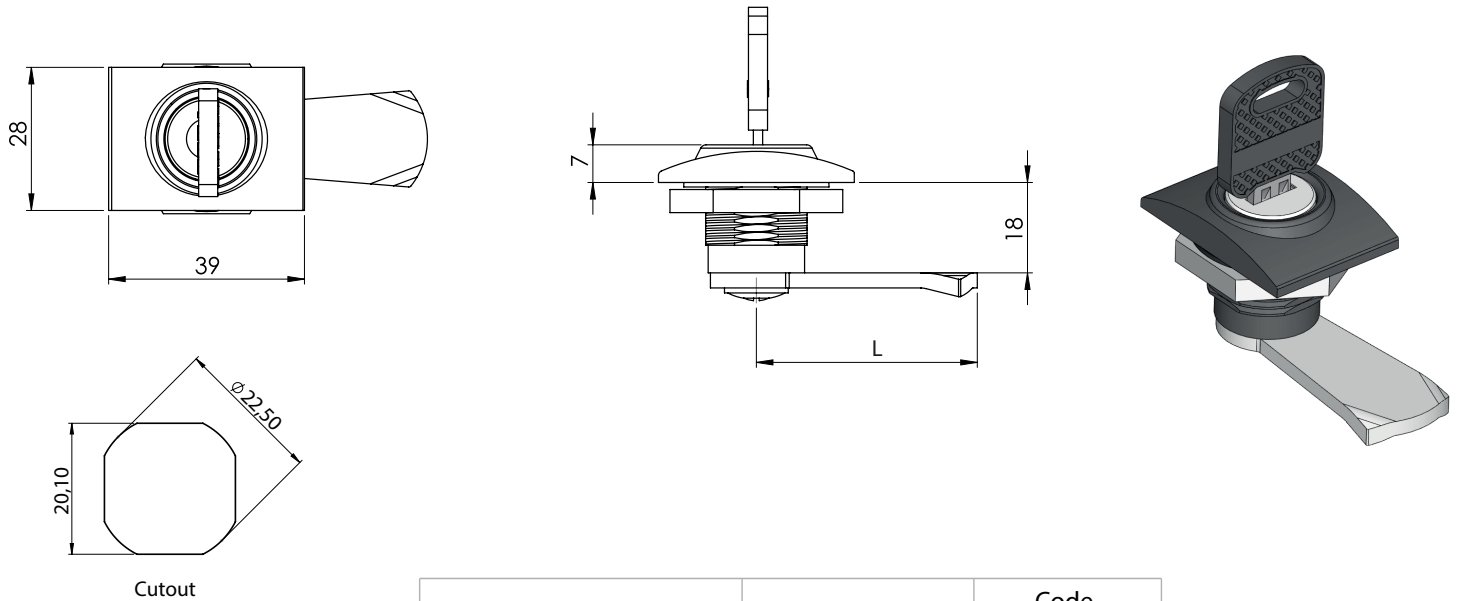


QUARTER-TURN LOCK | 217

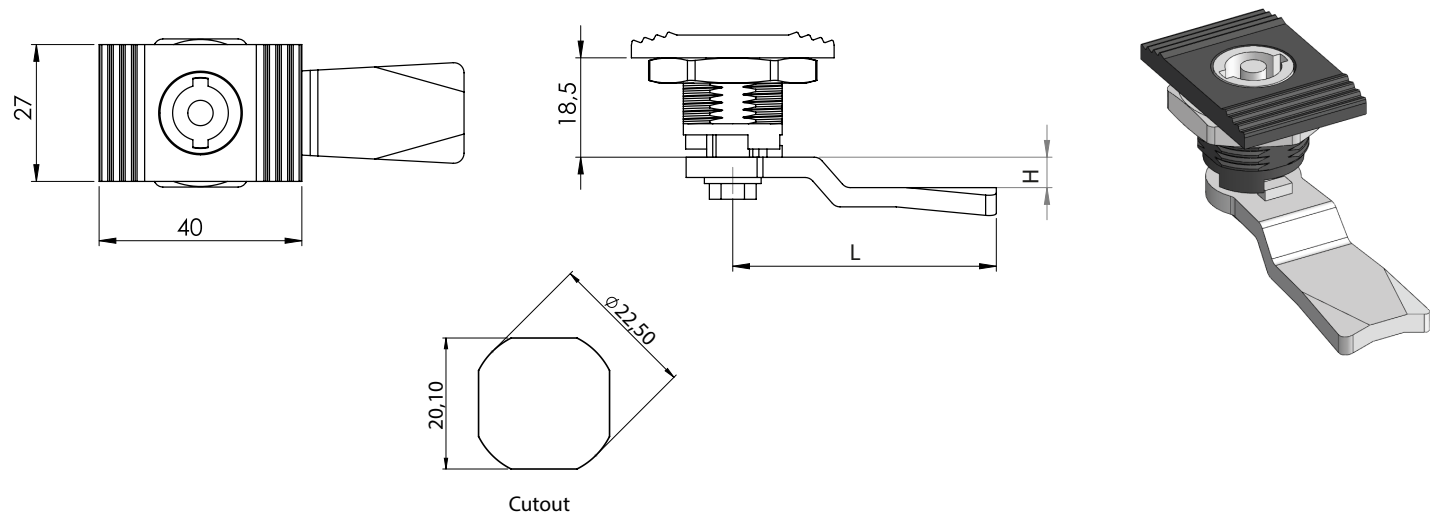


| Material | Cylinder type | Code |
|---|------------------|-----------|
| | | Black |
| Housing: Polyamide Insert: Zamak 5 Nut: Zamak 5 | Keyed alike 1333 | 217-25-01 |
| | Keyed different | 217-25-02 |

* All dimensions are in mm

* The cams to be ordered separately

QUARTER-TURN LOCK | 218



| Material | Insert type | Code | Code | Code |
|---|--------------|-------------|-------------|-------------|
| | | Black | Ral 7035 | Ral 7032 |
| Housing: Polyamide Insert: Zamak 5, chrome Nut: Zamak 5 | 3mm DB | 218-25-11D3 | 218-26-15D3 | 218-27-15D3 |
| | 5mm DB | 218-25-11D5 | 218-26-15D5 | 218-27-15D5 |
| | 7mm Triangle | 218-25-11T7 | 218-26-15T7 | 218-27-15T7 |
| | 8mm Triangle | 218-25-11T8 | 218-26-15T8 | 218-27-15T8 |
| | 9mm Triangle | 218-25-11T9 | 218-26-15T9 | 218-27-15T9 |
| | 7mm Square | 218-25-11S7 | 218-26-15S7 | 218-27-15S7 |
| | 8mm Square | 218-25-11S8 | 218-26-15S8 | 218-27-15S8 |

* All dimensions are in mm

* The cams to be ordered separately