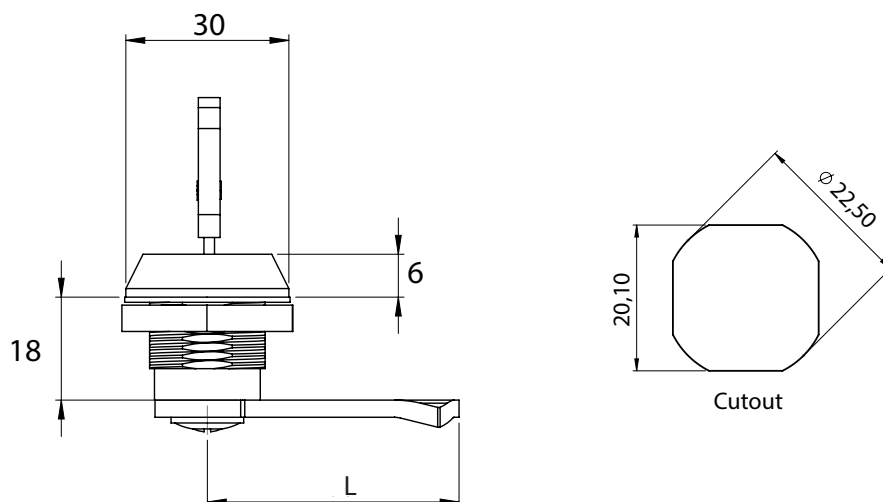
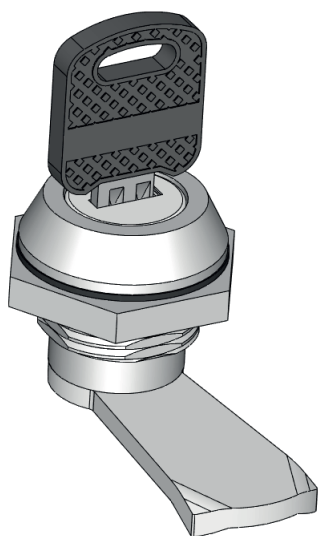


210 | CAM LOCK



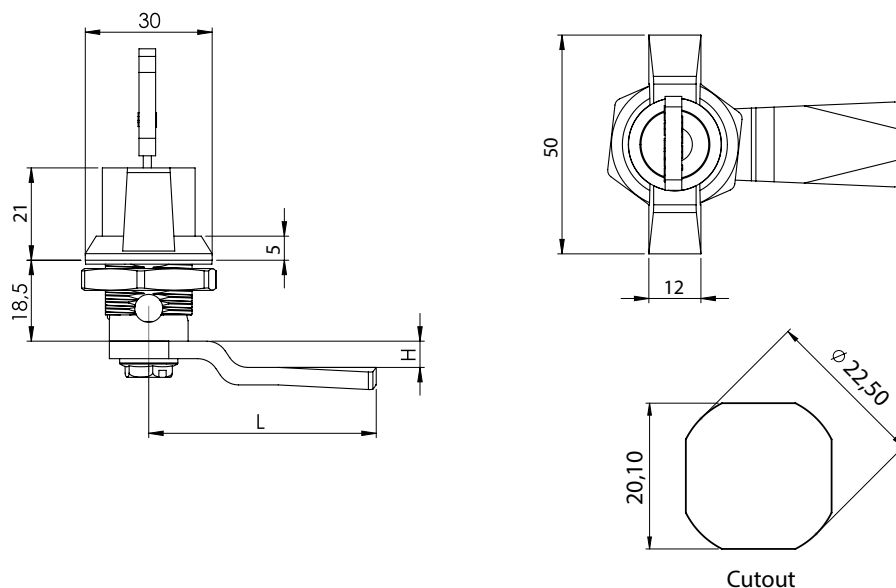
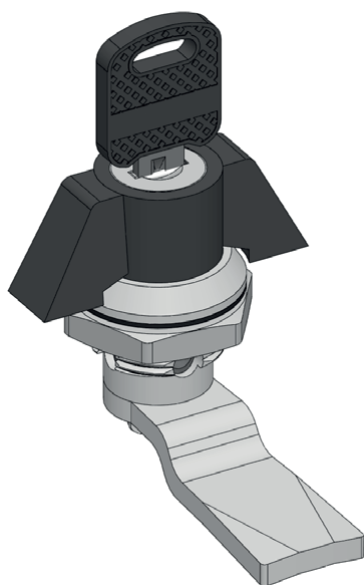
Material	Cylinder type	Code
		Chrome
Housing: Zamak 5 Insert: Zamak 5 Nut: Zamak 5 Stainless steel dust cover	Keyed alike 1333	210-11-01
	Keyed different	210-11-02
	-	-
Housing: Polyamide, black Insert: Zamak 5 Nut: Zamak 5 Stainless steel dust cover	Keyed alike 1333	210-25-01
	Keyed different	210-25-02

* All dimensions are in mm * The cams to be ordered separately

* Supplied with 2 pcs of keys

CAM LOCKS

215 | WING KNOB CAM LOCK



Material	Cylinder type	Code	Code
		Chrome	Black painted
Housing: Zamak 5 Insert: Zamak 5 Nut: Zamak 5	Keyed alike 1333	-	-
	Keyed different	215-11-11-02	215-15-15-02
	Keyed alike	215-11-11-03	215-15-15-03

* All dimensions are in mm * The cams to be ordered separately * Supplied with 2 pcs of keys