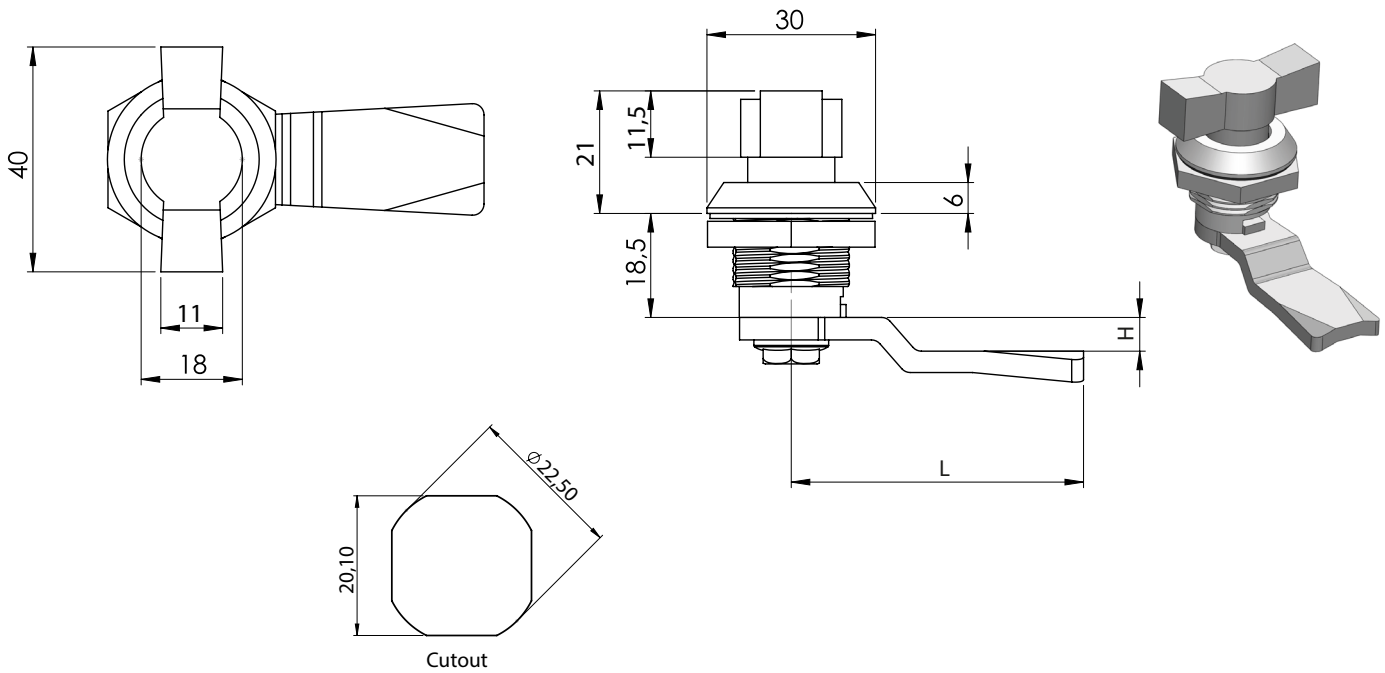
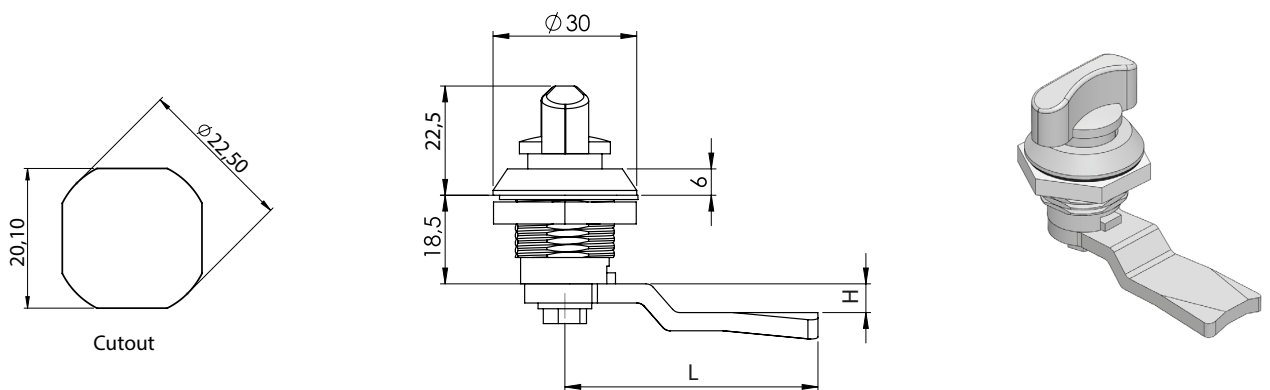


## WING KNOB QUARTER TURN LOCK | 206



## WING KNOB QUARTER TURN LOCK | 207



Material	Code	
	Chrome	Black painted
Housing: Zamak 5	206-11-11	206-15-15
Wing knob: Zamak 5	207-11-11	207-15-15
Nut: Zamak 5	-	Black
Housing: Polyamide	-	206-25-25
Wing knob: Polyamide	-	-
Nut: Zamak 5	-	-

\* All dimensions are in mm \* The cams to be ordered separately