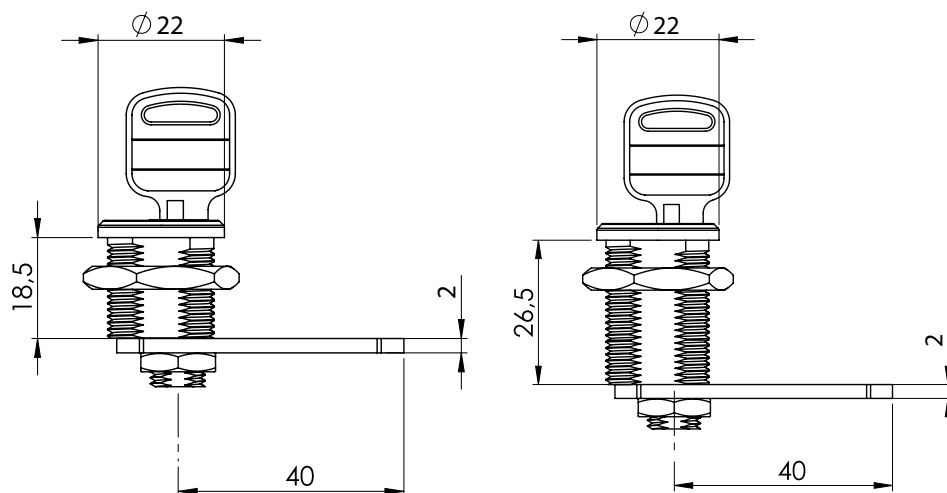
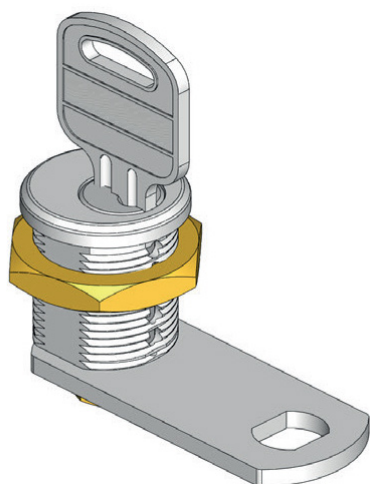
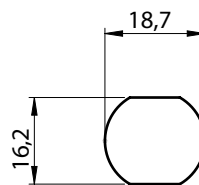


280 | FURNITURE LOCK



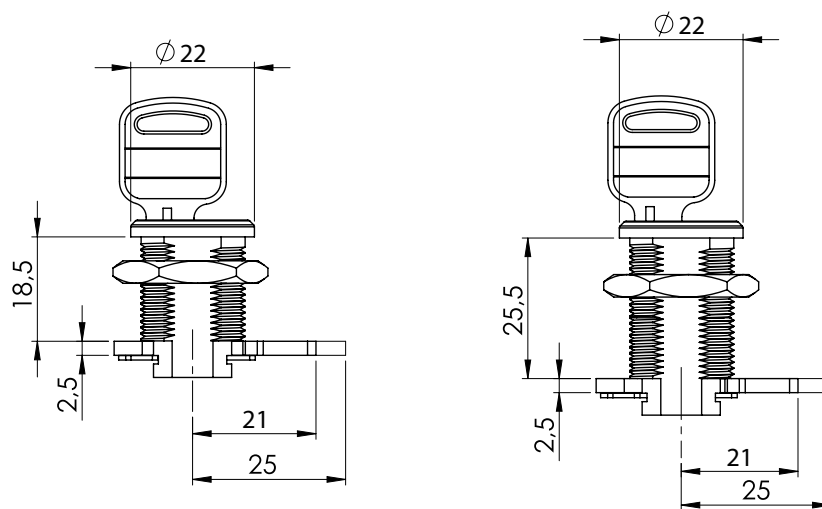
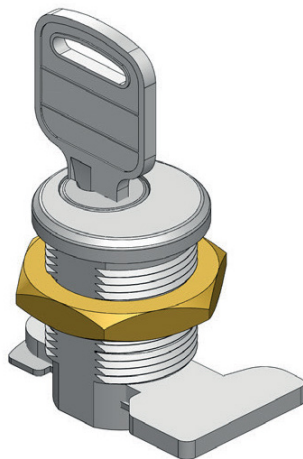
Version 1

Version 2
Prolonged thread



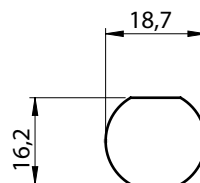
Cutout

281 | FURNITURE LOCK



Version 1

Version 2
Prolonged thread



Cutout

Material	Cylinder type	Code	Code
		Version 1	Version 2
Housing: Brass, chrome Insert: Brass, chrome Nut: Brass Cam: Steel	Keyed different	280-V1-02	280-V2-02
	Keyed alike	280-V1-03	280-V2-03
	Keyed different	281-V1-02	281-V2-02
	Keyed alike	281-V1-03	281-V2-03

* All dimensions are in mm

* The shown cams included