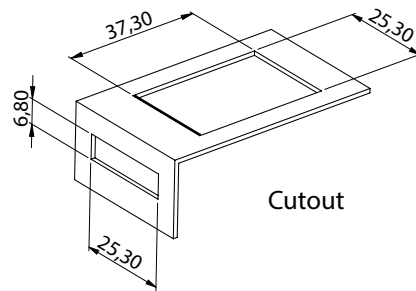
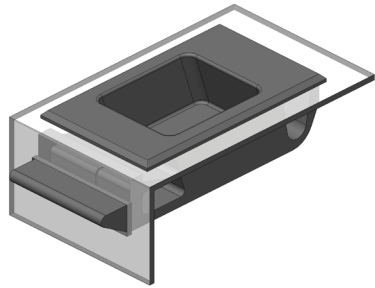
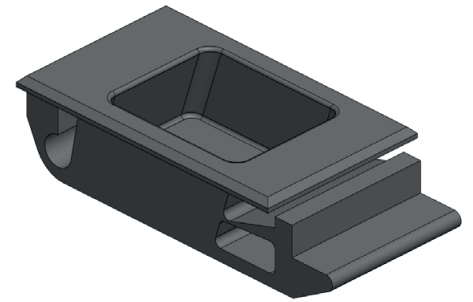
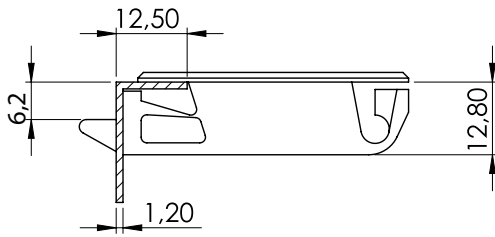
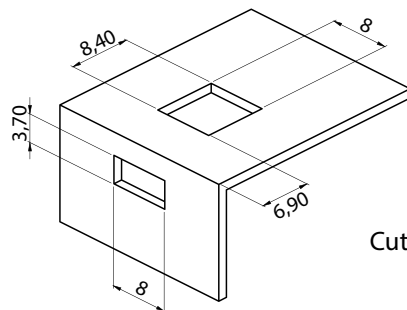
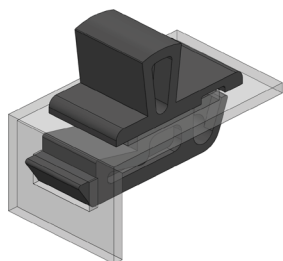
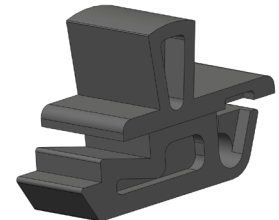
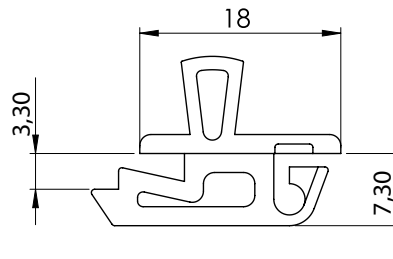
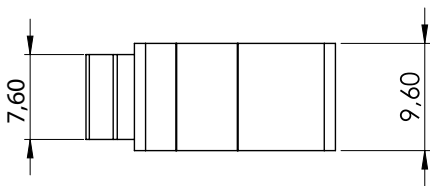


## SLIDING LATCH | 270



Cutout

## SLIDING LATCH | 271



Cutout

Material	Code
Polyamide, black	270-5
	271-5

\* All dimensions are in mm

\* compatible with sheet thickness between 1,2-1,5mm