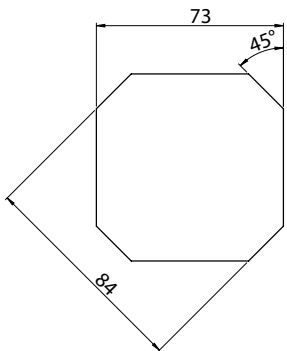
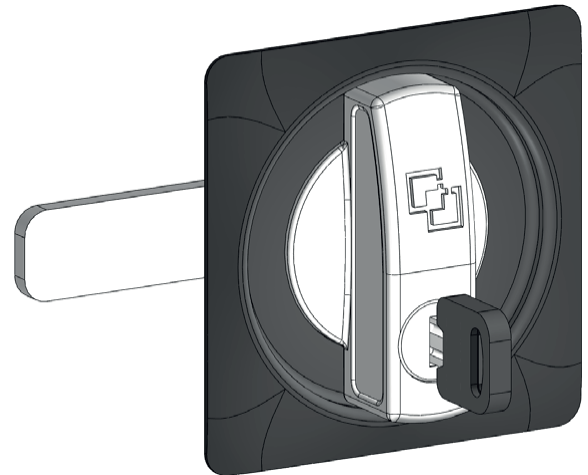
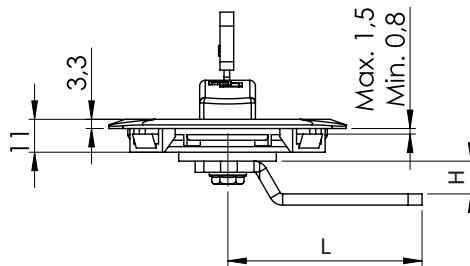
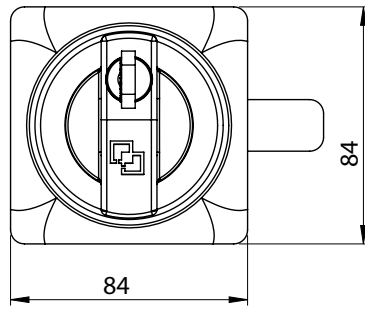
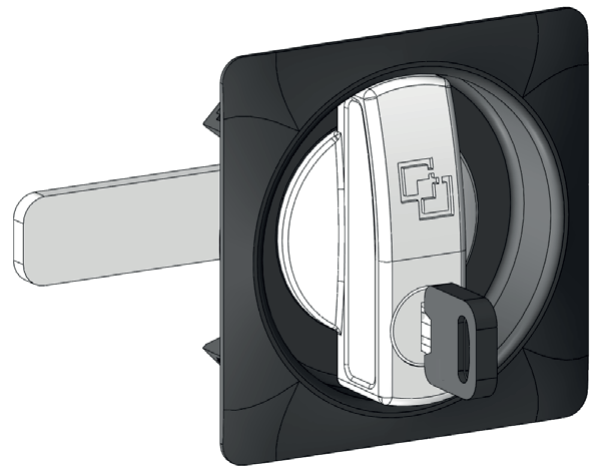
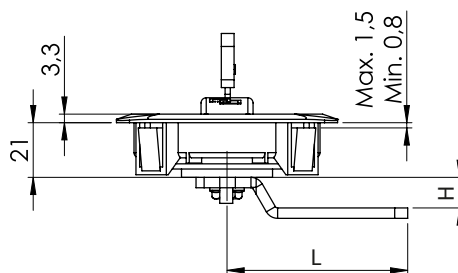
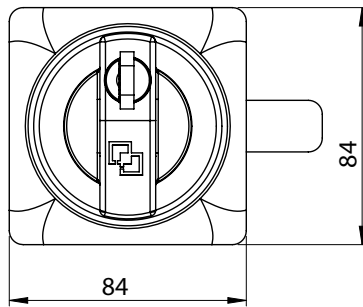


Cutout



Cutout



Material	Cylinder type	Code	Code	Code
		Chrome	Black	Ral 7035
Base: Polyamide: black	Non-lockable	262-11-00	262-11-00	262-11-00
		263-11-00	263-11-00	263-11-00
Handle: Zamak 5	Keyed different	262-11-02	262-15-02	262-16-02
		263-11-02	263-15-02	263-16-02
Cam: Steel	Keyed alike	262-11-03	262-15-03	262-16-03
		263-11-03	263-15-03	263-16-03

\* All dimensions are in mm

\* Colour of the handle is optional