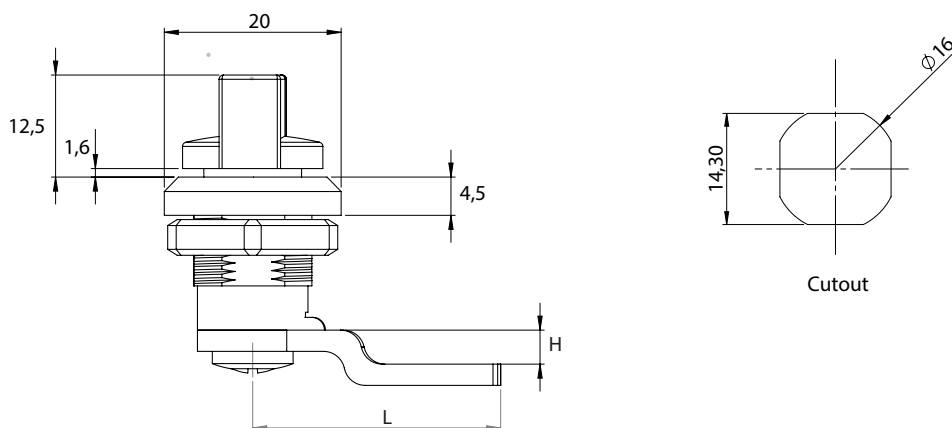
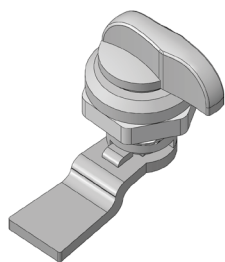


235 | QUARTER-TURN WING KNOB LOCK

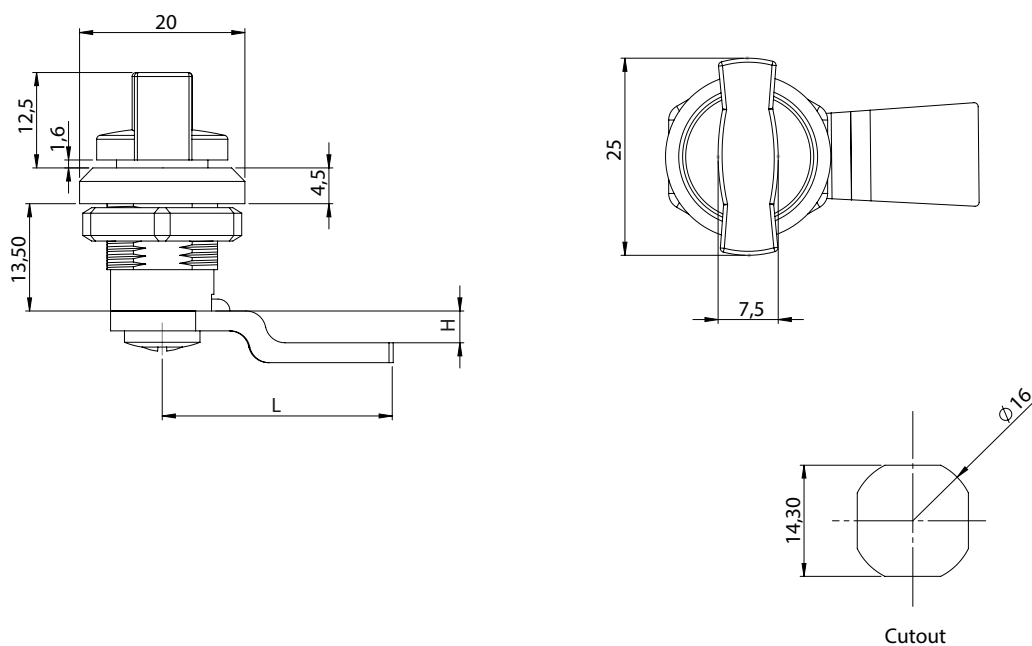
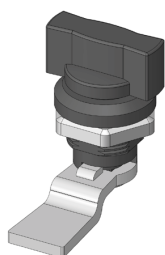


Material	Code	Code
	Chrome	Black
Housing: Zamak 5 Wing knob: Zamak 5 Nut: Zamak 5	235-11-11	235-15-15

* All dimensions are in mm * The cams to be ordered separately

CAM LOCKS

236 | QUARTER-TURN WING KNOB LOCK



Material	Code
	Black
Housing: Polyamide Wing knob: Polyamide Nut: Zamak 5	236-25-25

* All dimensions are in mm
* The cams to be ordered separately