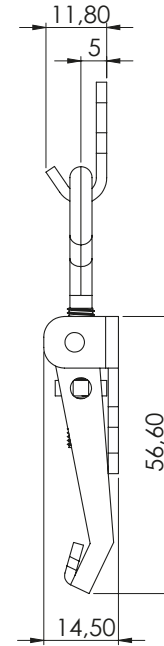
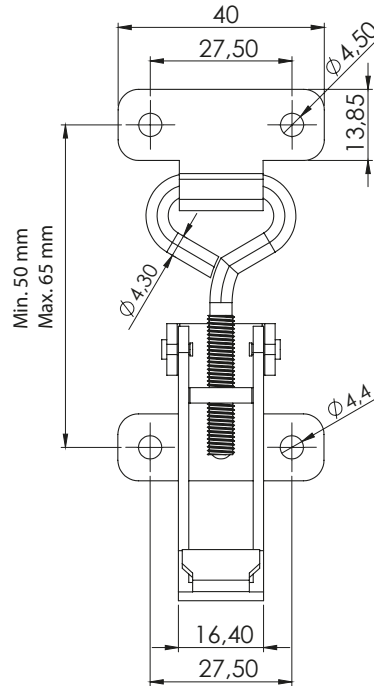


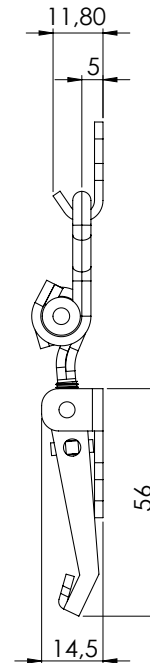
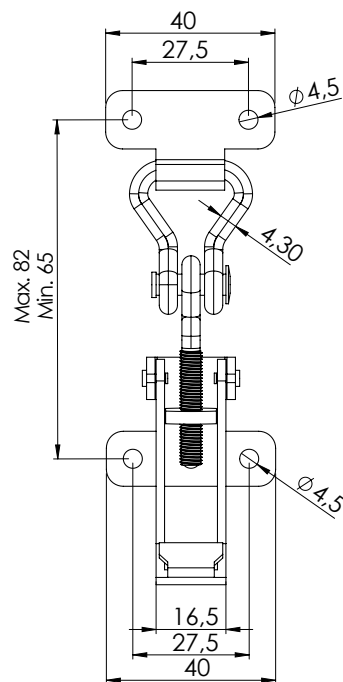
171 | ADJUSTABLE TOGGLE LATCH



Version 1



Version 2



Material	Version	Code
Steel, zinc plated	1	171-V1
	2	171-V2

* All dimensions are in mm