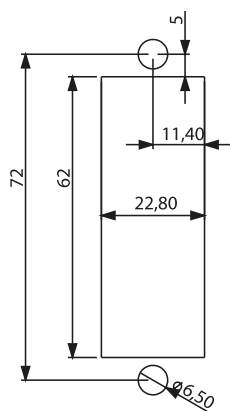
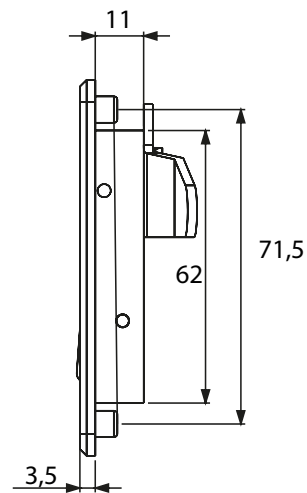
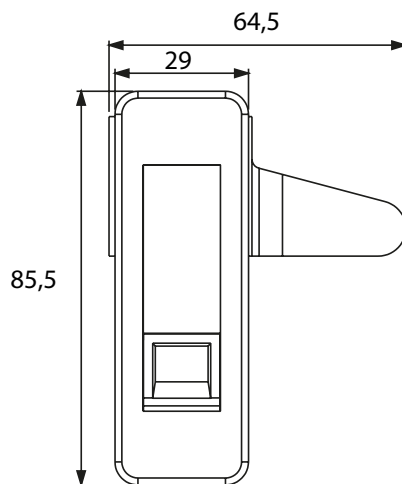
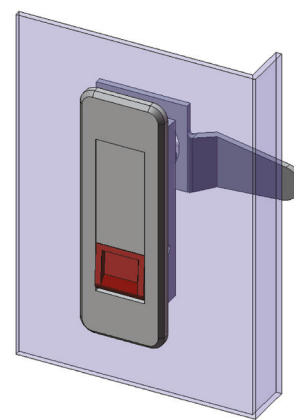


## 157 | PUSH-BUTTON LATCH



Cutout

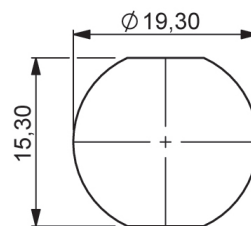
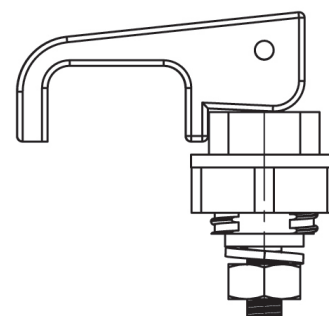
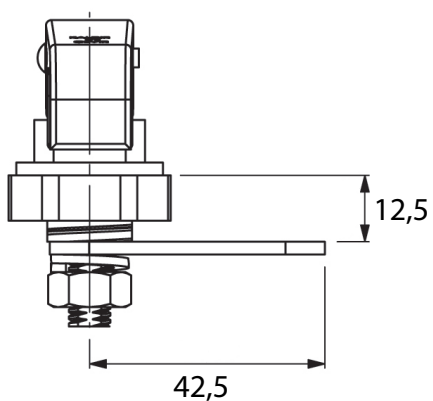
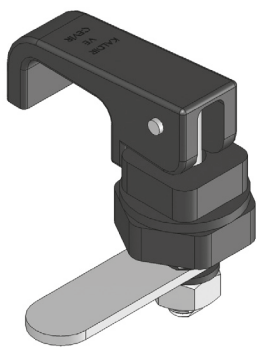


Right or left door application

Material	Application	Code
Zamak, chrome plated Cam: steel	Right	157-R
	Left	157-L

\* All dimensions are in mm

## 159 | LIFT & TURN LATCH



Cutout

Material	Code
Polyamide, black	159

\* All dimensions are in mm