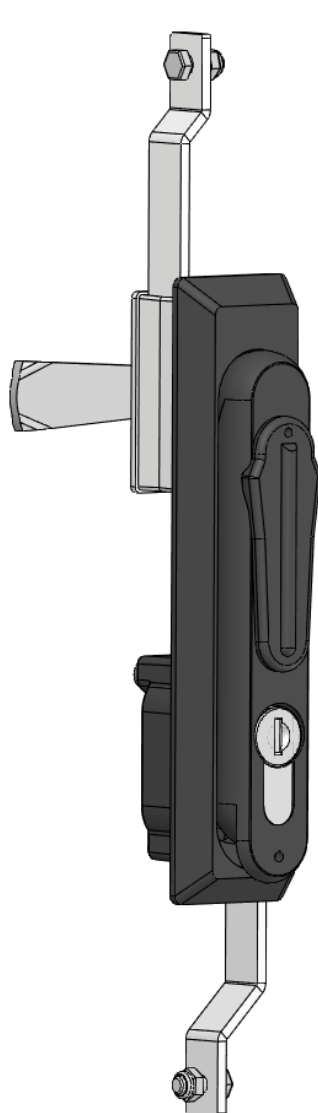


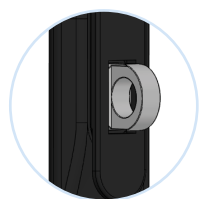
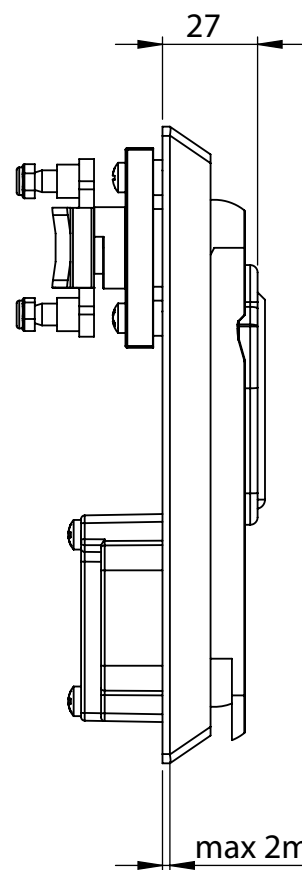
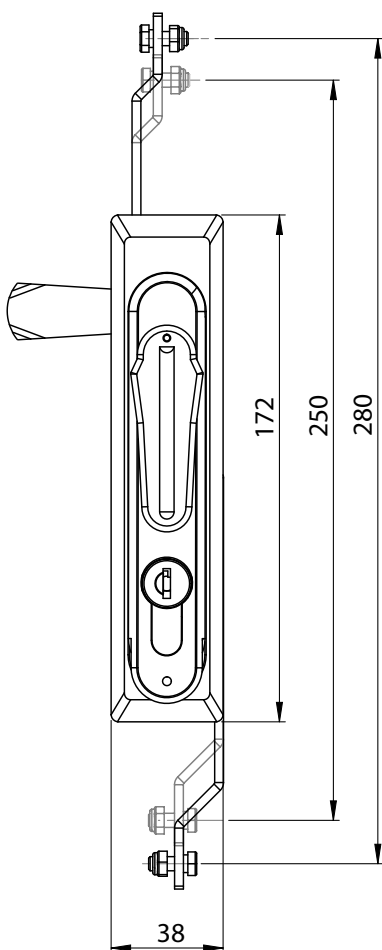
## 110 | SWING HANDLE

SWING HANDLES

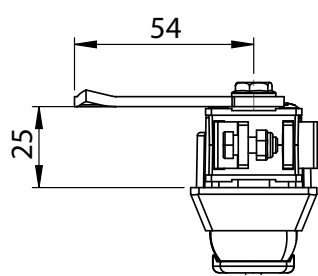


IP65

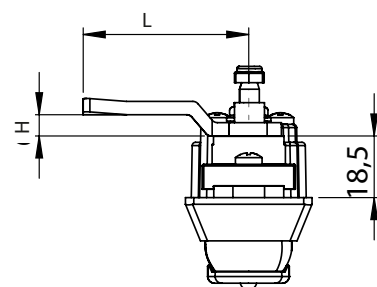
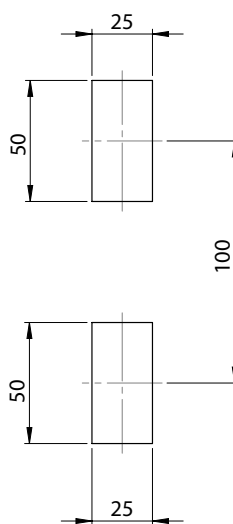
L / R



Padlockable option



Version for cogwheel mechanism - M1



Version for 3 point cam - KK

Cutout

Material	Insert type	Code
		M1
Housing: PA, black Handle: PA, black Padlock device: Zamak	Keyed alike 1333	110-01-M1
	Keyed different	110-02-M1
	Keyed alike 1333	110-A-01-M1
Padlockable version	Keyed different	110-A-02-M1

Code
KK
110-01-KK
110-02-KK
110-A-01-KK
110-A-02-KK

\* All dimensions are in mm

\* The cams to be ordered separately