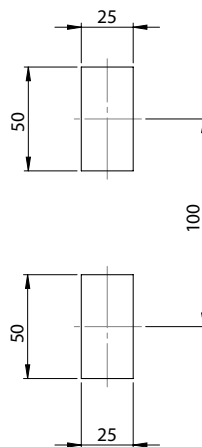
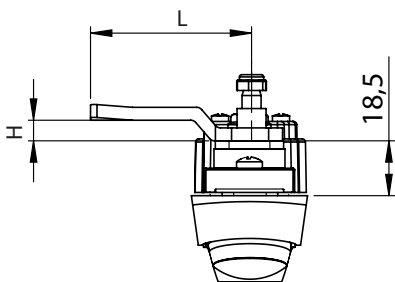
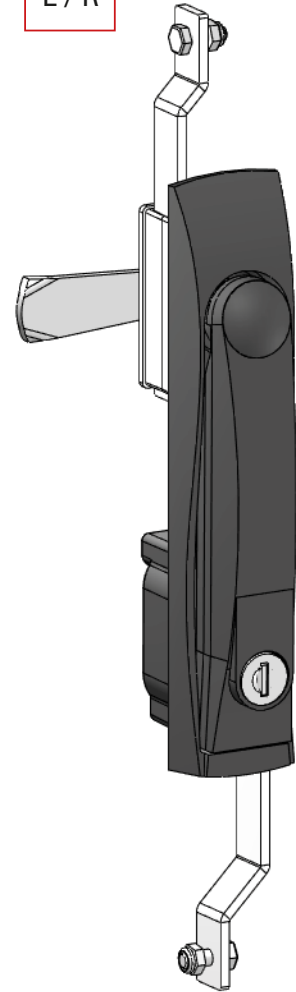
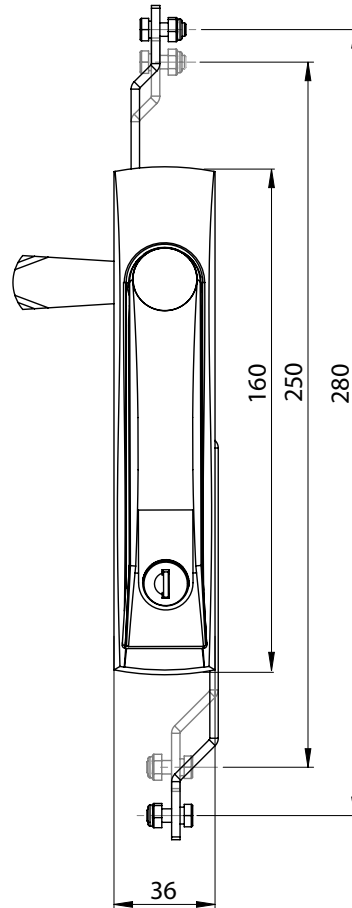
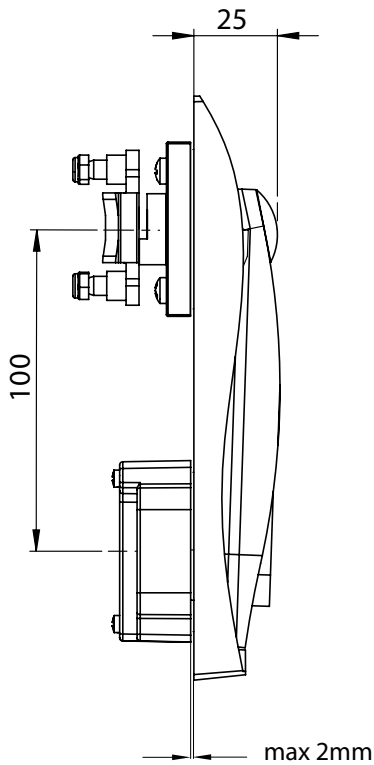
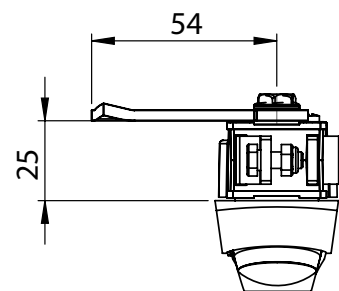


IP65
L/R



Cutout



Version for 3 point cam - KK

Version for cogwheel mechanism - M1

Material	Insert type	Code
		KK
Housing: PA, black	Keyed alike 1333	153-01-KK
Handle: PA, black	Keyed different	105-02-KK
Mechanism: Zamak	5mm DB	105-D5-KK
Cylinder: Zamak	9mm Triangle	105-T9-KK
	8mm Square	105-S8-KK

Code
M1
105-01-M1
105-02-M1
105-D5-M1
105-T9-M1
105-S8-M1

* All dimensions are in mm

* The cams to be ordered separately