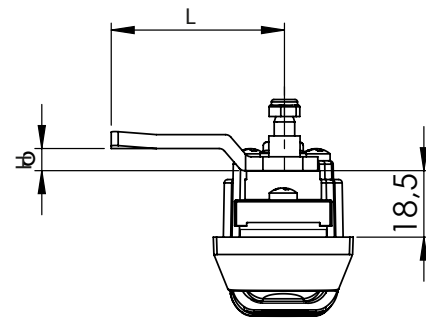
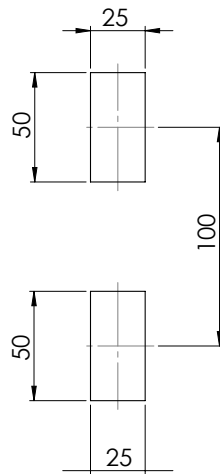
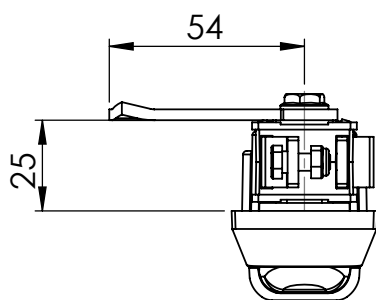


Padlockable option



Version for cogwheel mechanism - M1

Cutout

Version for 3 point cam - KK

Material	Insert type	Code
		M1
Housing: PA, black Handle: PA, black Padlock device: Brass	Keyed alike 1333	102-01-M1
	Keyed different	102-02-M1
Padlockable version	Keyed alike 1333	102-A-01-M1
	Keyed different	102-A-02-M1

Code
KK
102-01-KK
102-02-KK
102-A-01-KK
102-A-02-KK

OTHER CYLINDER TYPES FOR THIS LOCK		
CLY-D5	5 mm Double Bit	
CLY-T9	9 mm Triangle	
CLY-S8	8 mm Square	

\* All dimensions are in mm

\* The cams to be ordered separately

\* For cylinders please see page 1A-9

CAMS FOR ROD CONTROL (KK)							
CODE	03	020	053	054	055	064	
H	8	0	0	12	4	0	
L	49	51	60	54	52	55	

CAMS FOR 1 POINT LOCKING (KK AND M1)															
CODE	01	02	05	06	07	08	09	010	019	043	044	045	046	086	
H	14	24	0	16	6	12	0	8	0	0	6	4	10	6	
L	48	48	46	46	52	50	54	44	64	44	45	43	48	62	

\* For KK model is required cam with stopper and for cogwheel mechanism cam without stopper