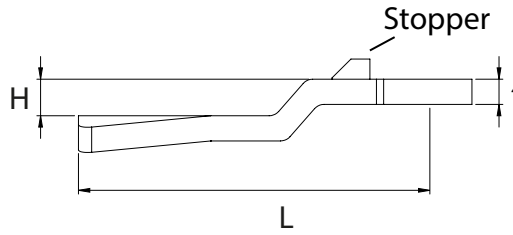
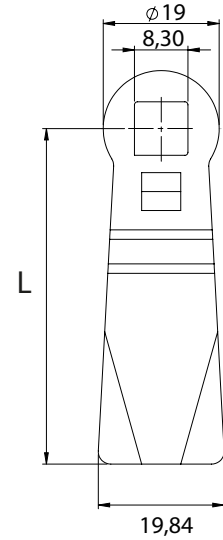
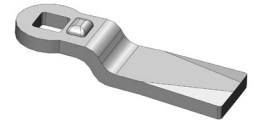


| Cams without stopper |    |    |
|----------------------|----|----|
| Code                 | H  | L  |
| C100046              | 0  | 46 |
| C100252              | 2  | 52 |
| C100443              | 4  | 43 |
| C100652              | 6  | 52 |
| C100844              | 8  | 44 |
| C101248              | 12 | 48 |
| C101646              | 16 | 46 |
| C102448              | 24 | 48 |
| C100054              | 0  | 54 |
| C100064              | 0  | 64 |

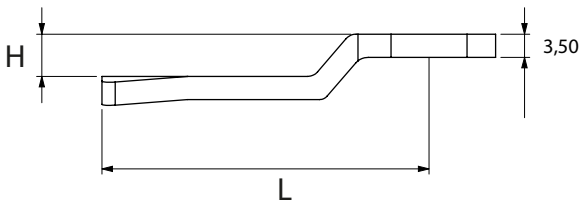
\* All dimensions are in mm



| Cams with stopper |    |    |
|-------------------|----|----|
| Code              | H  | L  |
| C110046           | 0  | 46 |
| C110252           | 2  | 52 |
| C110443           | 4  | 43 |
| C110652           | 6  | 52 |
| C110844           | 8  | 44 |
| C111248           | 12 | 48 |
| C111646           | 16 | 46 |
| C112448           | 24 | 48 |
| C110054           | 0  | 54 |
| C110064           | 0  | 64 |

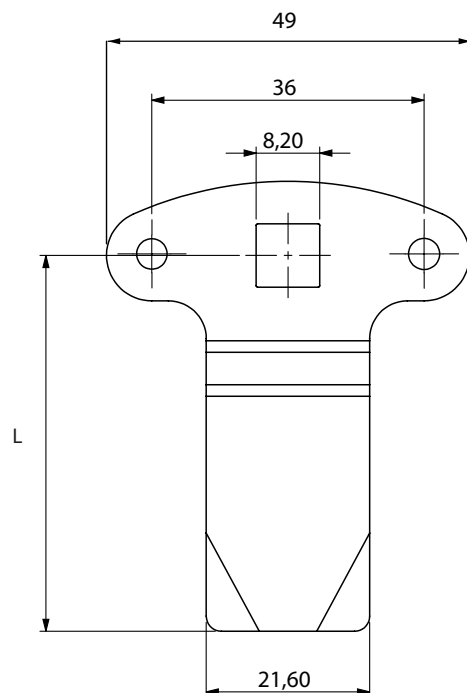


## CAMS FOR 3 POINT LOCKING |



| Cams without stopper |    |    |
|----------------------|----|----|
| Code                 | H  | L  |
| C300051              | 0  | 51 |
| C300055              | 0  | 55 |
| C300060              | 0  | 60 |
| C300452              | 4  | 52 |
| C300849              | 8  | 49 |
| C301254              | 12 | 54 |

\* All dimensions are in mm



| Cams with stopper |    |    |
|-------------------|----|----|
| Code              | H  | L  |
| C310051           | 0  | 51 |
| C310055           | 0  | 55 |
| C310060           | 0  | 60 |
| C310452           | 4  | 52 |
| C310849           | 8  | 49 |
| C311254           | 12 | 54 |

